

# eco•comb

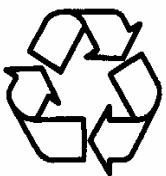
## “Manual”

C. F. Maier Container Systems  
For Collecting Recyclable Materials  
Using Manual Emptying Methods



**Practical • Economical • Appealing**

Perfect for use as a single unit or combined with other eco•comb containers.

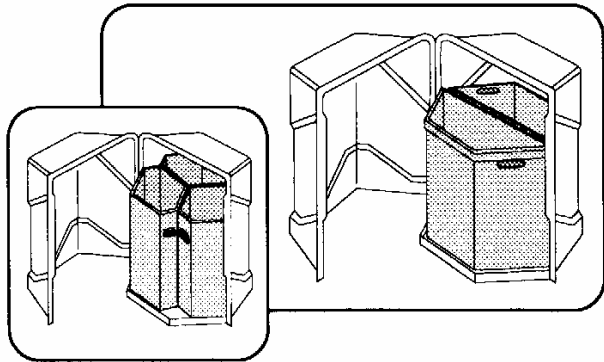


# eco•comb “manual”

## Built to meet your specific needs

Available with several options

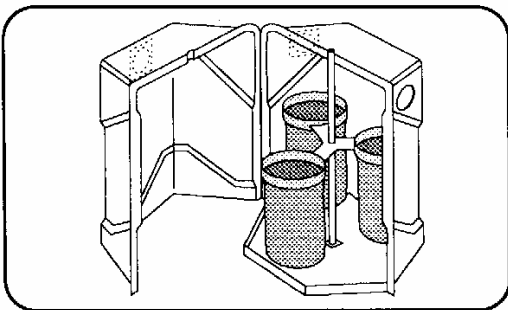
### A Choice of Inside Liners



#### Fiberglass Inside Liners

- Two 115 gal. or three 85 gal. fiberglass reinforced polyester liners that are weather and corrosion resistant.
- Container liners are leak proof.
- Each container liner has built-in handles for easy removal and emptying.
- Liners allow for collection of one to three different types of material.

### Insert Brackets To Hold Plastic Bags



- Steel insert bracket holds 3 plastic bags per container.
- Self adjusting rings hold collection bags for easy exchange of bags (rings are self clamping – no tie down necessary).
- Self adjusting rings hold bags up to approx. 60 gal. capacity (bags not included).
- Ability to handle one or three types of recyclable commodities with one container.
- Each deposit opening is labeled separately.
- Standard self-closing metal flaps at deposit openings.

### Appealing, Economical, and Practical eco•comb Exterior Features

The exterior shell's construction of quality fiberglass reinforced polyester eliminates maintenance problems. It is resistant to extremely high and low temperatures, impact resistant, weather proof, non-aging, chemical resistant, and rust proof. It is finished with an earth tan gelcoat colored exterior finish that does not need re-painting.

The exterior container halves are secured together and opened with a heavy duty, galvanized steel handle and locking mechanism. A full sized, 46" aluminum piano hinge allows the container to be opened for complete access to the inside.



**C. F. Maier Composites, Inc.** • 500 E. Crystal • Lamar, Colorado 81052  
(800) 962-6079 • FAX: (719) 336-3091 • Email: mail@cfmaier.com