

eco•comb 1600

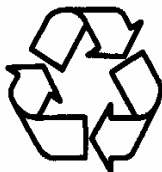
CARDBOARD COLLECTOR

C. F. Maier Collection System

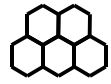


Collecting Cardboard Takes A Lot Of Room The eco•comb 1600 Cardboard Collector Solves the Problem!

An 8.2 cubic yard capacity and 2 oversized deposit holes of 35" x 6" makes the *eco•comb 1600* a perfect "Cardboard Collector". The Cardboard Collector was designed to work alone or with all other C.F. Maier *eco•comb* collection containers. You can handle the collection of cardboard or other materials in the *eco•comb 1600* with the same equipment as all other *eco•comb* containers. Plus you will maintain the appealing and space saving set up combinations. The *eco•comb 1600* is delivered fully assembled and ready to use.



Practical • Economical • Attractive

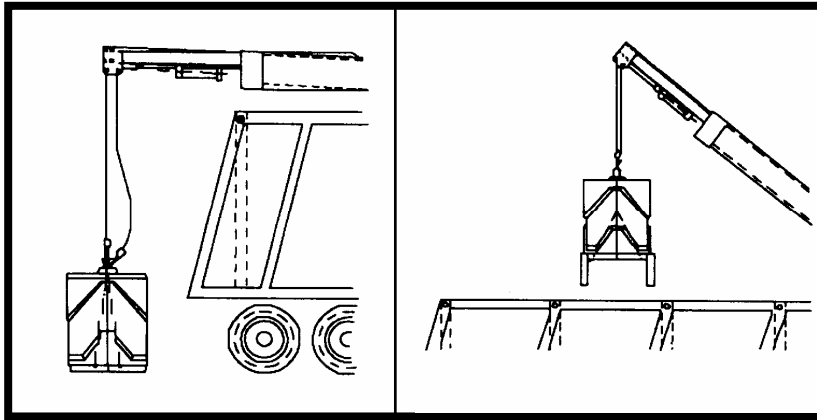


eco•comb 1600

Built for large and lightweight material

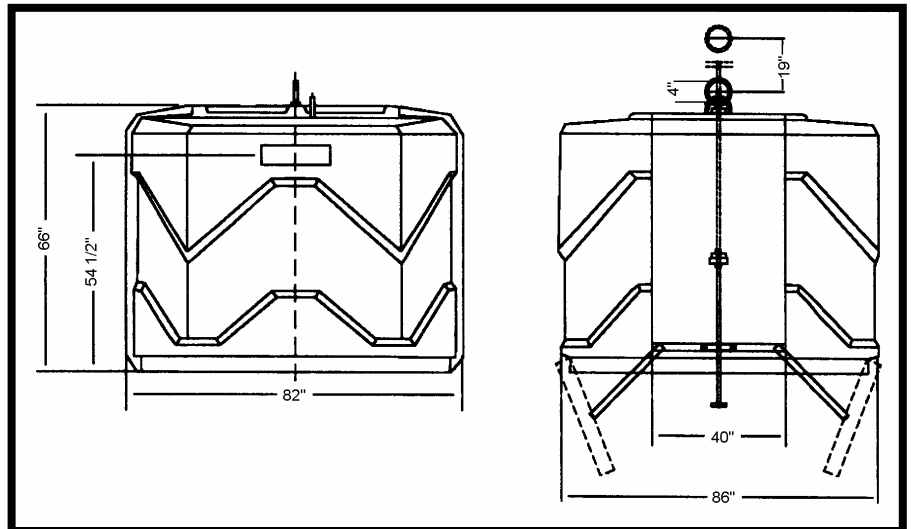
Standard Features:

- 8.2 cu. yd. capacity
- 2 deposit holes - each hole has a 35" X 6" opening
- Standard eco•comb 2 hook discharge mechanism for 1 man operation
- Discharge mechanism made with solid steel strap on spreader bar allowing for full bottom discharge without any obstructions
- Built with high grade fiberglass reinforced composites
- Weather resistant coat of standard earth-tan colored gelcoat



The discharge mechanism is designed around the outside of container for unobstructed discharge and free flow of bulky material.

Container Handling Procedure



All discharge mechanisms designed around outside of container for flow free discharge.