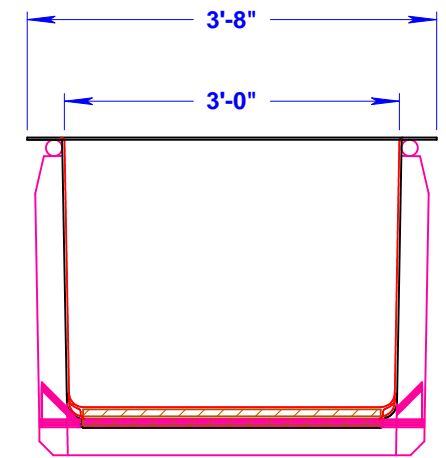
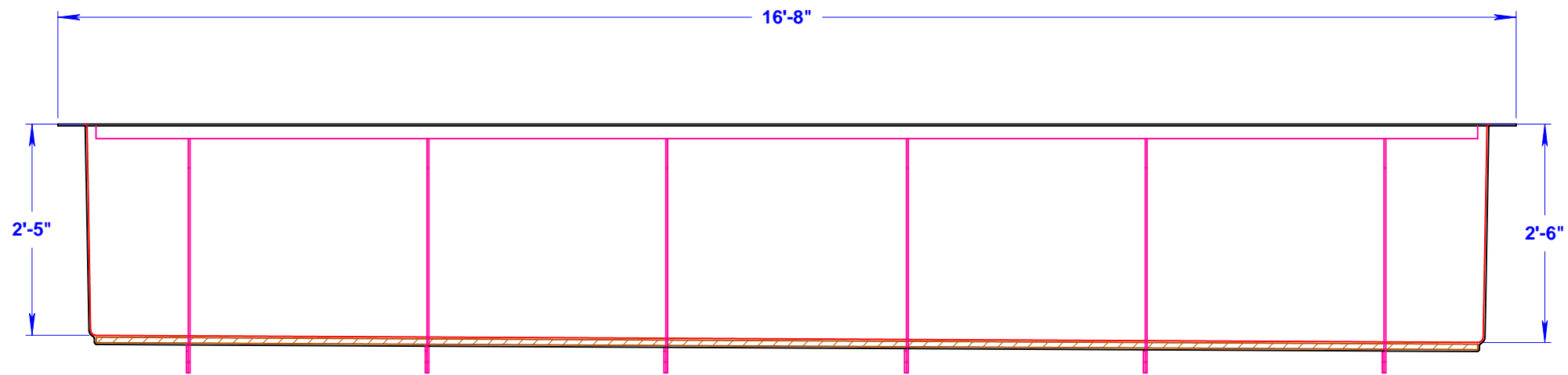
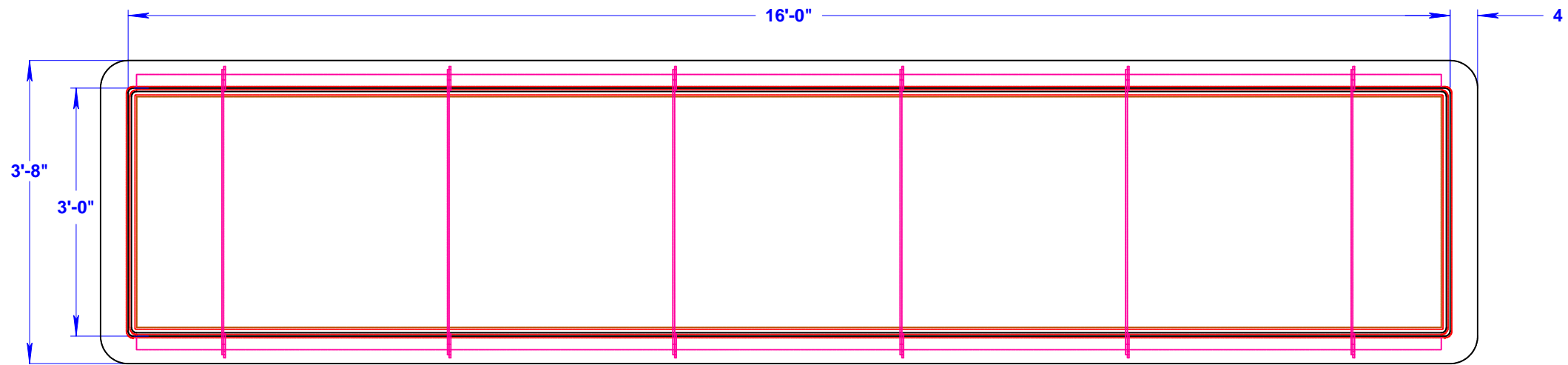
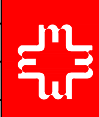


"THIS DOCUMENT AND THE DATA DISCLOSED HEREIN OR HERewith IS NOT TO BE REPRODUCED, USED, OR DISCLOSED IN WHOLE OR IN PART TO ANYONE WITHOUT THE PERMISSION OF C.F. MAIER COMPOSITES, INC."



| | | | | | | | | |
|-----------|---------------|-------------|-------------|---|-------------|-----------------------|---------------------------------------|--------------|
| | | | | | Name | Date | Title | |
| | | | | Created By | CLN | 2/9/06 | Rearing Trough 29" - 30" x 36" x 192" | |
| | | | | Checked By | | | All Dimensions +/- .125" | |
| | | | | Scale | | | | |
| | | | |  C. F. Maier Composites, Inc. 500 East Crystal Street Lamar, CO 81052 Phone (800) 962-6079 Fax (719) 336-3091 www.cfmaier.com | | Drawing Number | | Issue |
| No | Change | Date | Init | | | FRT000883 | | |