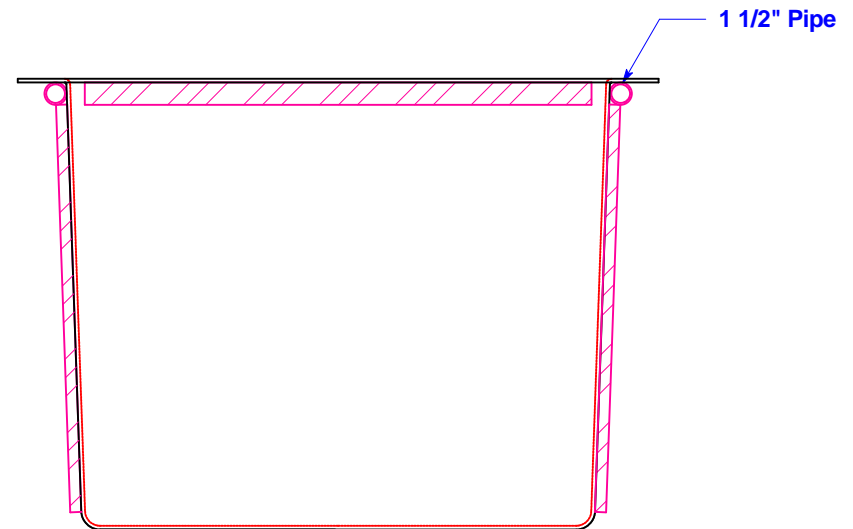
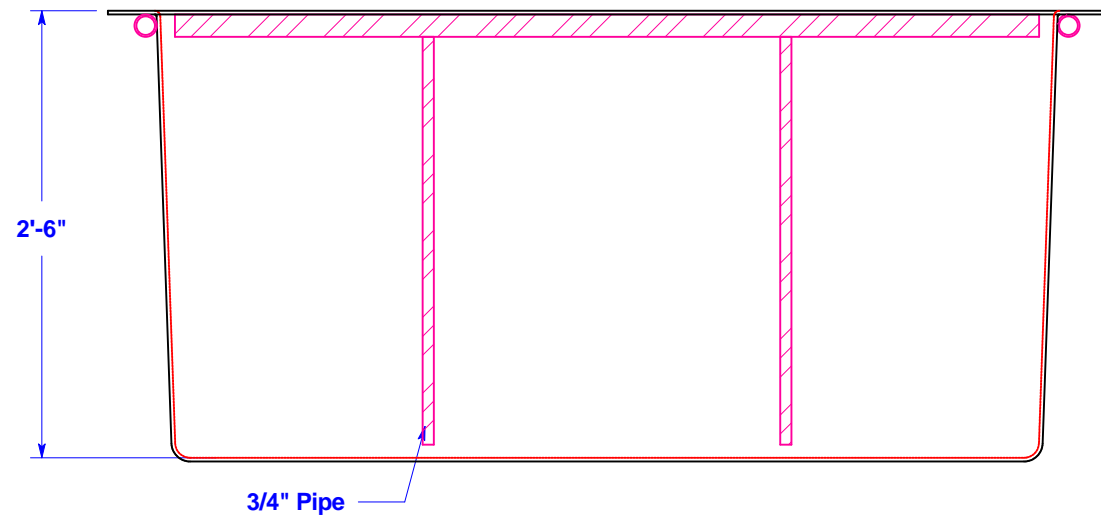
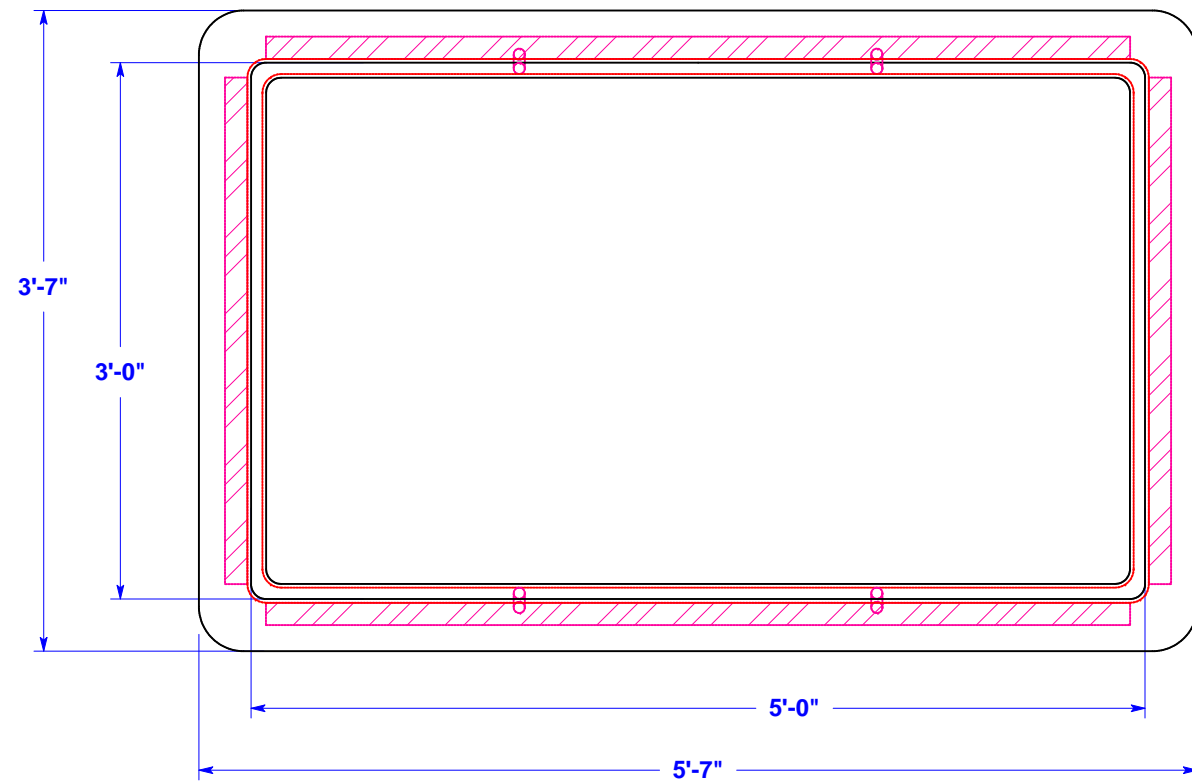



"THIS DOCUMENT AND THE DATA DISCLOSED HEREIN OR HERewith IS NOT TO BE REPRODUCED, USED, OR DISCLOSED IN WHOLE OR IN PART TO ANYONE WITHOUT THE PERMISSION OF C.F. MAIER COMPOSITES, INC."



					Name	Date	Title	
				Created By	CLN	11/11/06	Rearing Trough 30" x 36" x 60"	
				Checked By			All Dimensions +/- .125"	
				Scale			Drawing Number	Issue
					 C. F. Maier Composites, Inc. 500 East Crystal Street Lamar, CO 81052 Phone (800) 962-6079 Fax (719) 336-3091 www.cfmaier.com		FRT000281	
No	Change	Date	Init					