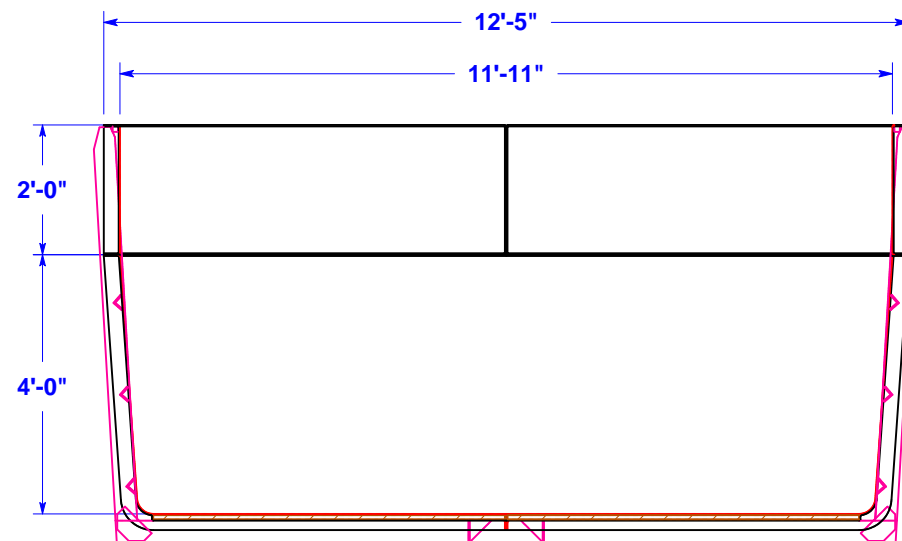
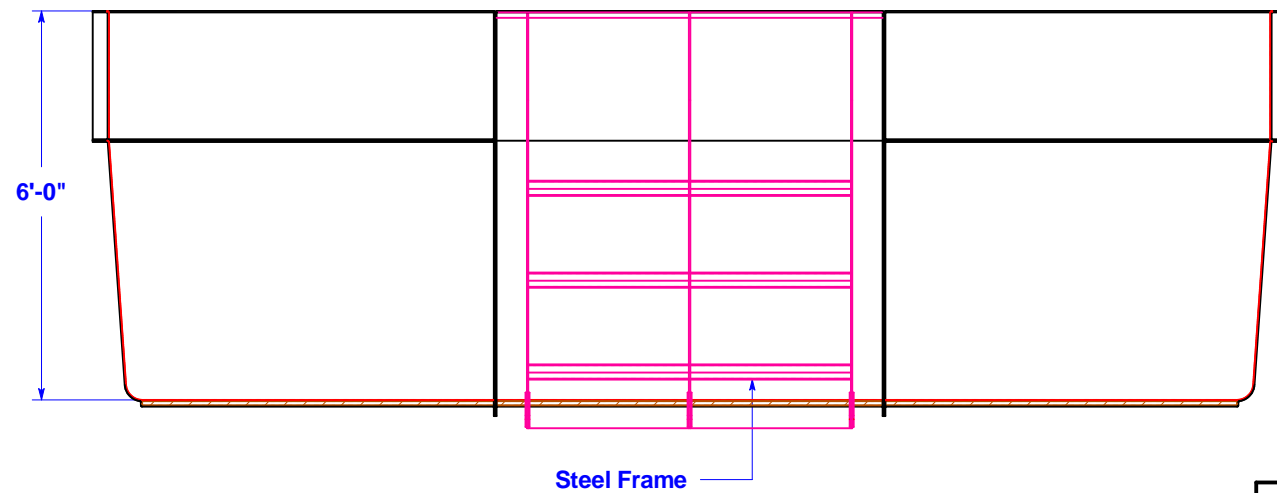
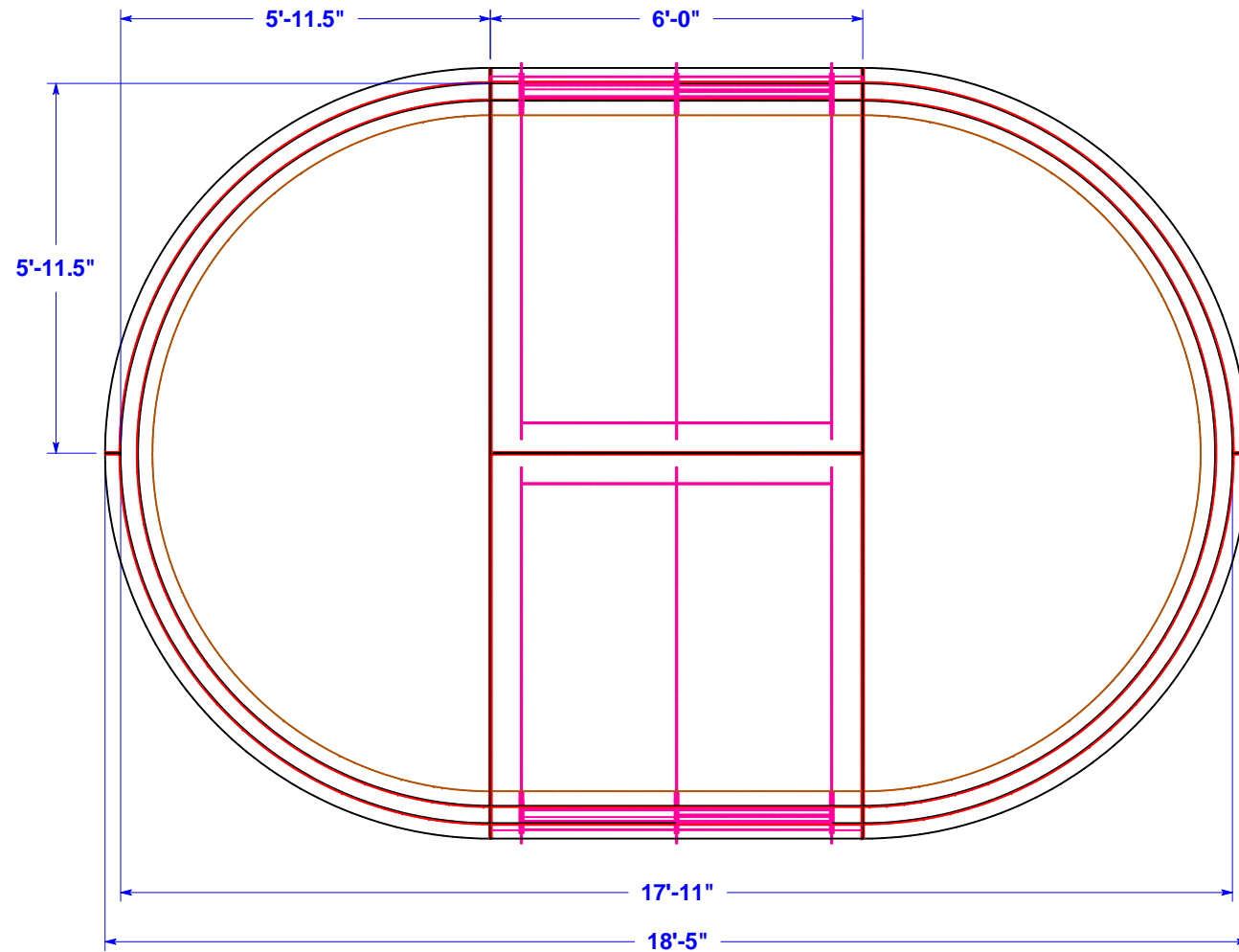



"THIS DOCUMENT AND THE DATA DISCLOSED HEREIN OR HERewith IS NOT TO BE REPRODUCED, USED, OR DISCLOSED IN WHOLE OR IN PART TO ANYONE WITHOUT THE PERMISSION OF C.F. MAIER COMPOSITES, INC."



					Name	Date	Title	
				Created By	CLN	8/21/06	Oval Sectional Tank 12' x 18' x 6'	
				Checked By			All Dimensions +/- .125"	
				Scale			Drawing Number	Issue
							OVAL008840	
No	Change	Date	Init	 C. F. Maier Composites, Inc. 500 East Crystal Street Lamar, CO 81052 Phone (800) 962-6079 Fax (719) 336-3091 www.cfmaier.com				