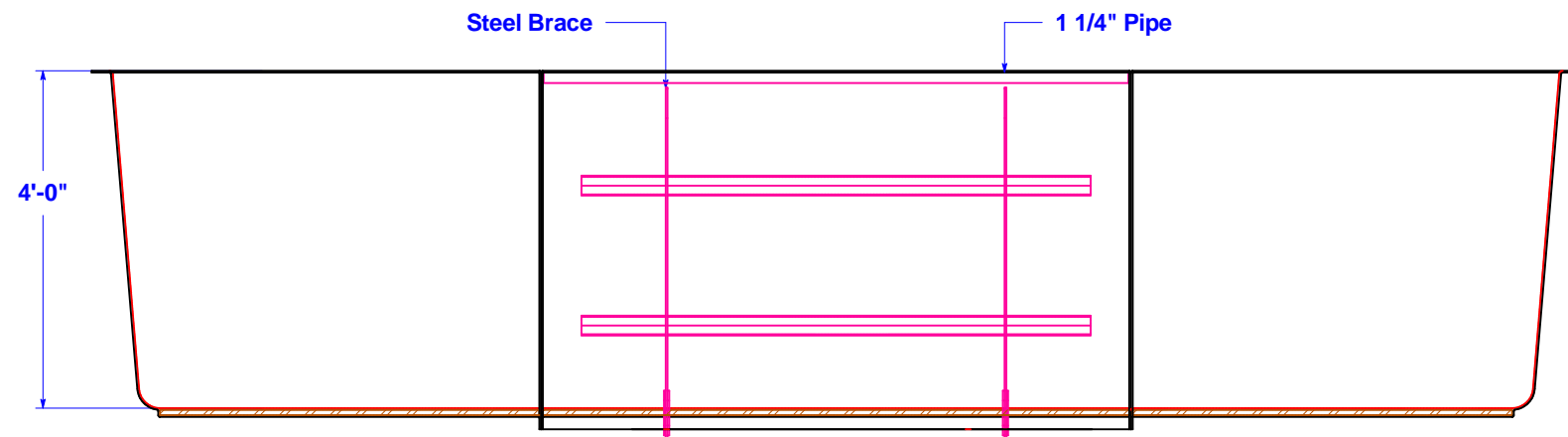
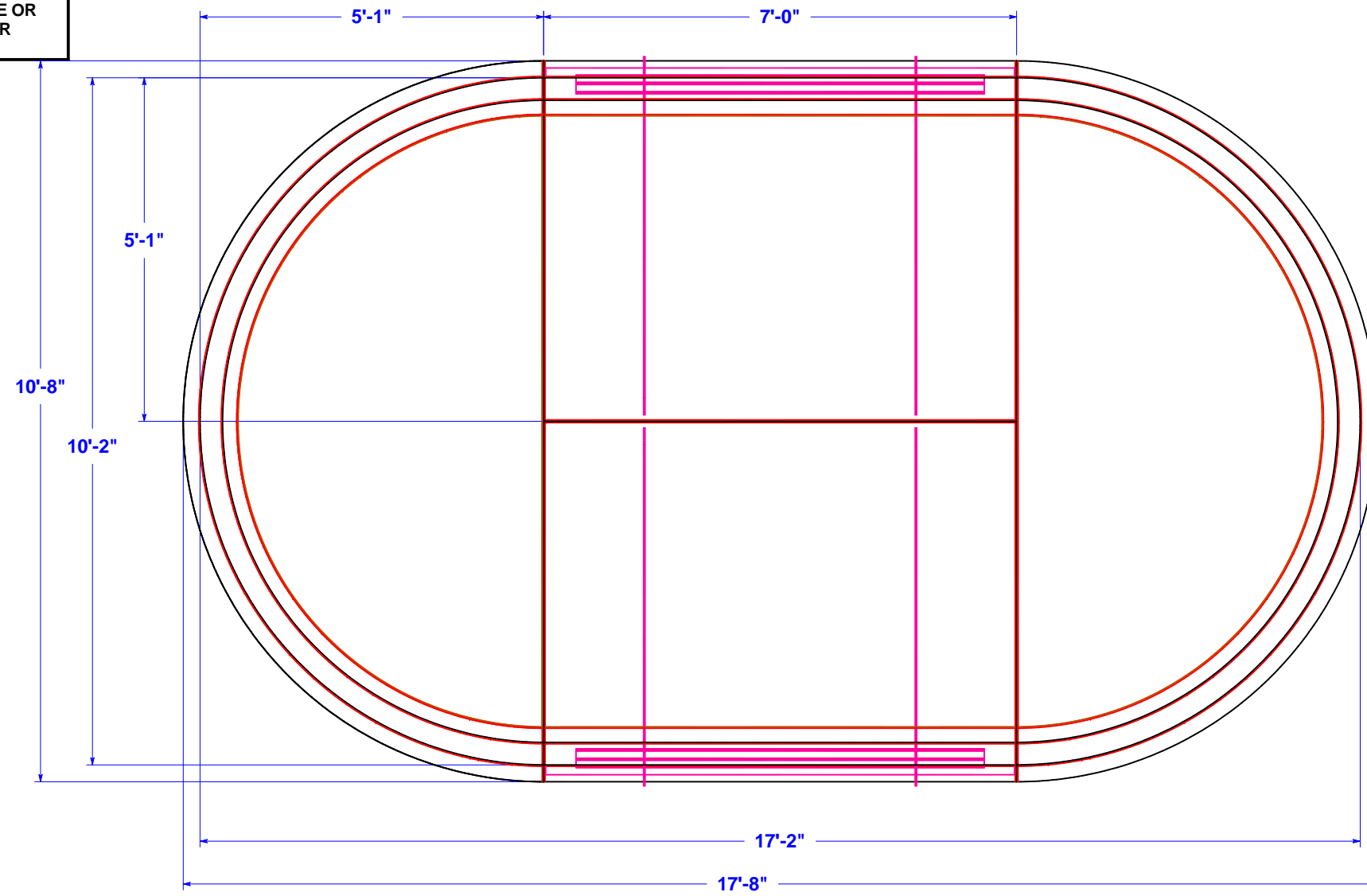



"THIS DOCUMENT AND THE DATA DISCLOSED HEREIN OR HERewith IS NOT TO BE REPRODUCED, USED, OR DISCLOSED IN WHOLE OR IN PART TO ANYONE WITHOUT THE PERMISSION OF C.F. MAIER COMPOSITES, INC."



					Name	Date	Title	
				Created By	CLN	8/16/06	Oval Sectional Tank 10' x 17' x 4'	
				Checked By			All Dimensions +/- .125"	
				Scale				
					 C. F. Maier Composites, Inc. 500 East Crystal Street Lamar, CO 81052 Phone (800) 962-6079 Fax (719) 336-3091 www.cfmaier.com		Drawing Number	Issue
No	Change	Date	Init				OVAL004430	